

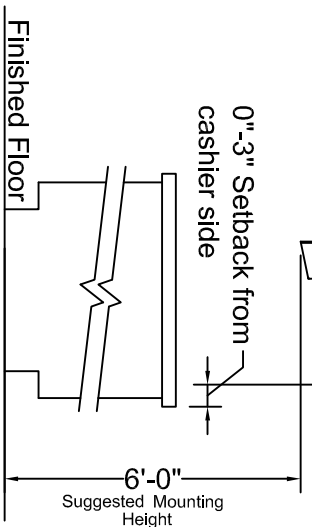
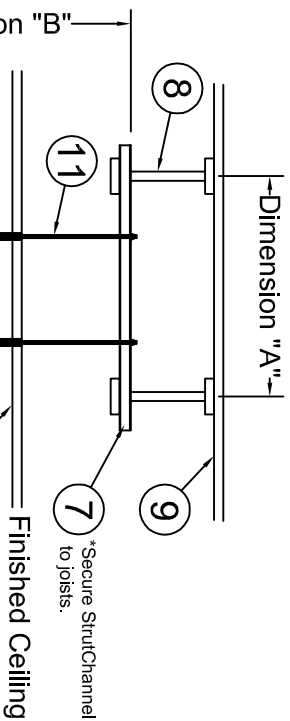
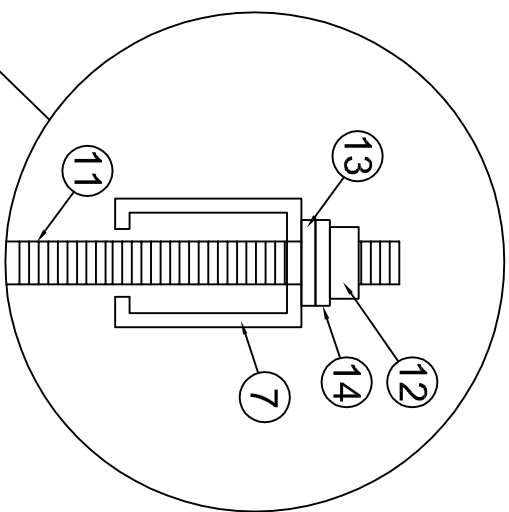
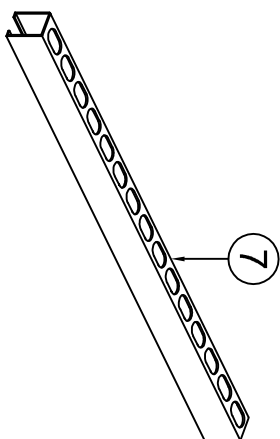
Mounting Hardware & Diagram Key

No.	Description	Quantity Req'd
1	3/8" x 3" Hex Head Bolt	4 per unit
2	n/a	
3	3/8" Washer	4 per unit
4	3/8" Rubber Flat Washer	4 per unit
5	1" O.D. Aluminum Square Tube	4
6	3/8" Threaded Rod Coupling	4
7	12 Gauge Strut Channel	2 ea x Dimension "A"
8	Truss/Ceiling Joist	
9	Roof	
10	M40A Overhead Cigarette Rack	
11	3/8" Threaded rod	4 ea x Dimension "B"
12	3/8" Hex Nut	4
13	3/8" Washer	4
14	3/8" Lock Washer	4

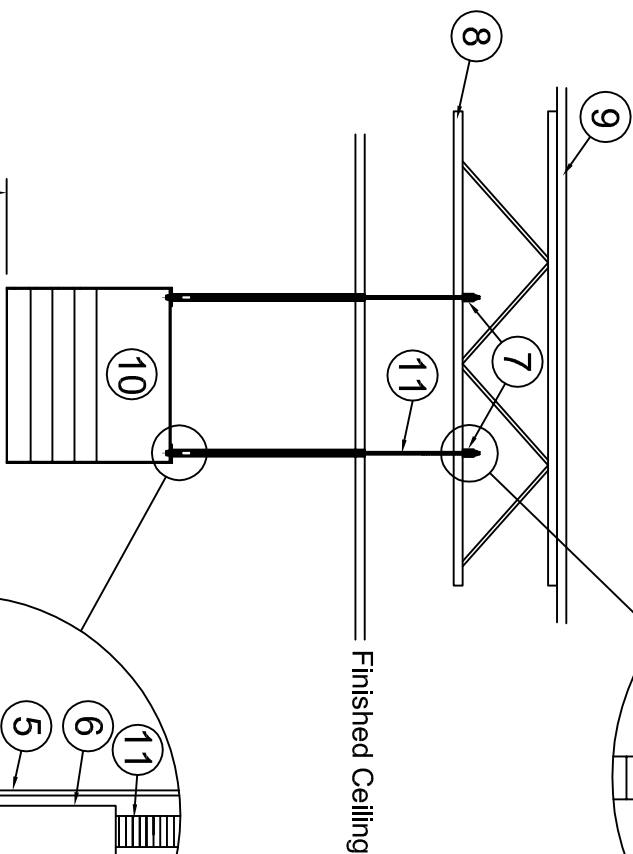
M-Series Overhead Cigarette Rack Suspended Ceiling Installation Diagram

ONE UNIT

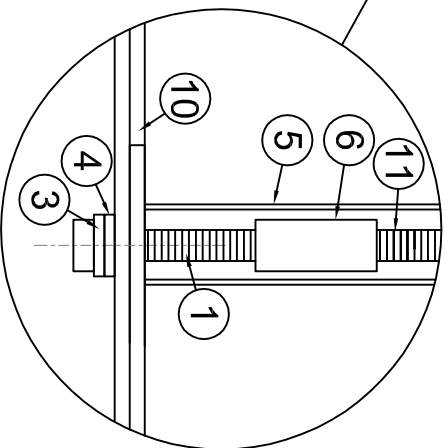
Questions?
Call 866-630-2100



Side View



Front View



This installation diagram is for illustration purposes only. Actual installation applications may vary.

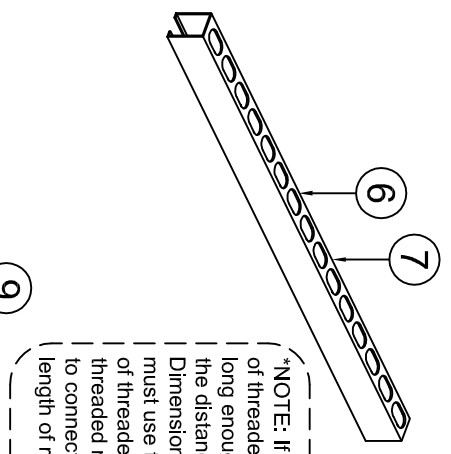
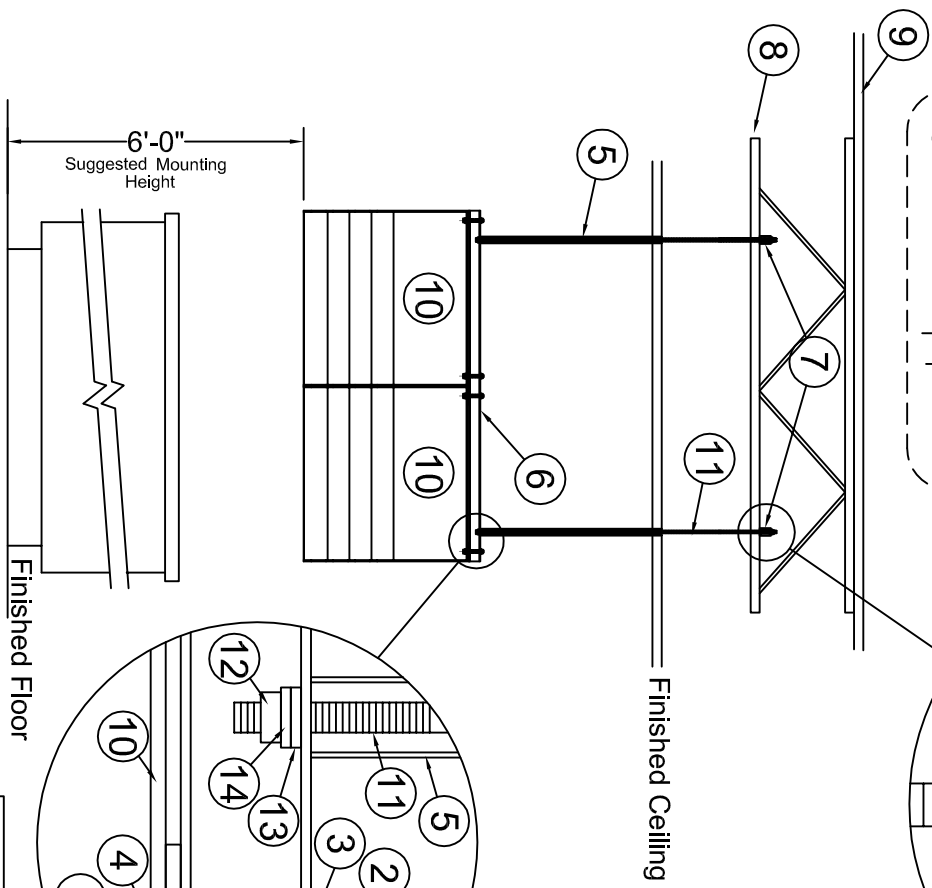
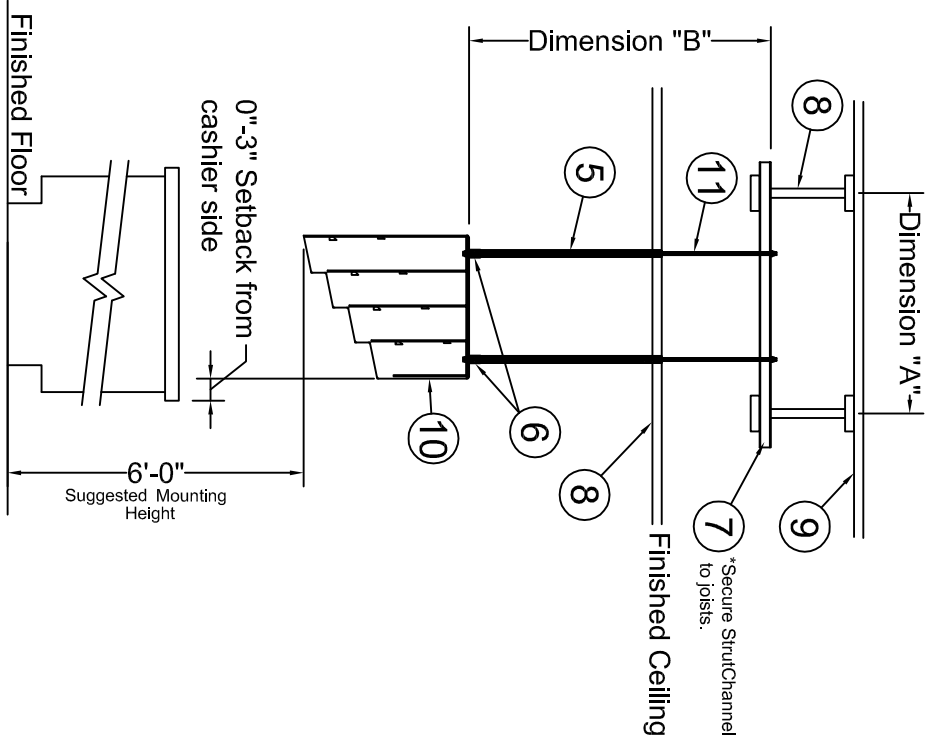
Mounting Hardware & Diagram Key

No.	Description	Quantity Req'd
1	3/8" x 3" Hex Head Bolt	4 per unit
2	3/8" Hex Nut	4 per unit
3	3/8" Washer	8 per unit
4	3/8" Rubber Flat Washer	4 per unit
5	1" O.D. Aluminum Square Tube	4
6	12 Gauge Strut Channel	2 ea @ 51" long
7	12 Gauge Strut Channel	2 ea x Dimension "A"
8	Truss/Ceiling Joist	
9	Roof	
10	M40A Overhead Cigarette Rack	
11	3/8" Threaded rod	4 ea x Dimension "B"
12	3/8" Hex Nut	8
13	3/8" Washer	8
14	3/8" Lock Washer	8

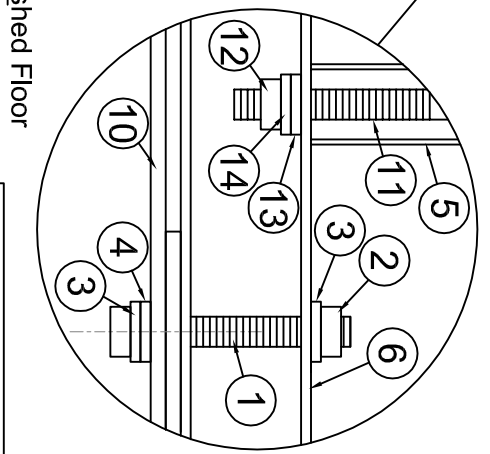
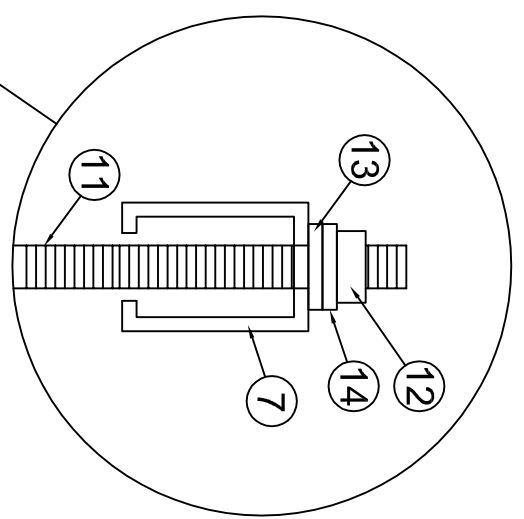
M-Series Overhead Cigarette Rack Suspended Ceiling Installation Diagram

TWO UNITS

Questions?
Call 866-630-2100



*NOTE: If one length of threaded rod is not long enough to span the distance of Dimension "B" you must use two lengths of threaded rod and a threaded rod coupling to connect the two length of rod.



Side View

Front View

This installation diagram is for illustration purposes only. Actual installation applications may vary.

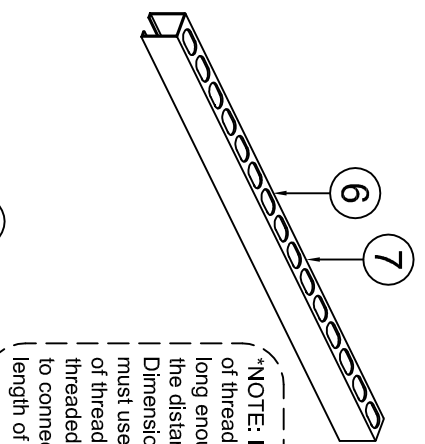
Mounting Hardware & Diagram Key

No.	Description	Quantity Req'd
1	3/8" x 3" Hex Head Bolt	4 per unit
2	3/8" Hex Nut	4 per unit
3	3/8" Washer	8 per unit
4	3/8" Rubber Flat Washer	4 per unit
5	1" O.D. Aluminum Square Tube	4
6	12 Gauge Strut Channel	2 ea @ 76" long
7	12 Gauge Strut Channel	2 ea x Dimension "A"
8	Truss/Ceiling Joist	
9	Roof	
10	M40A Overhead Cigarette Rack	
11	3/8" Threaded rod	6 ea x Dimension "B"
12	3/8" Hex Nut	12
13	3/8" Washer	12
14	3/8" Lock Washer	12

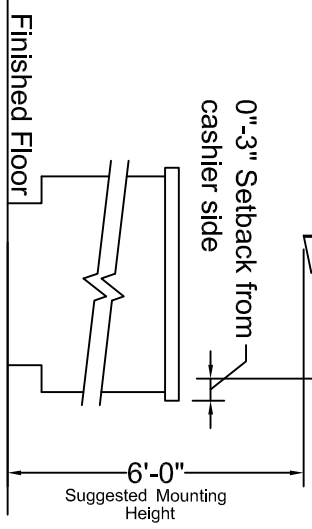
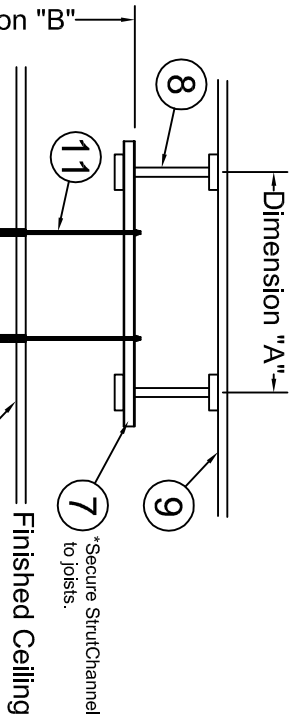
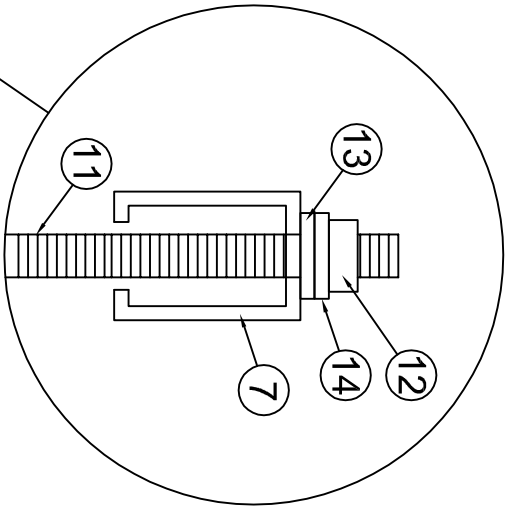
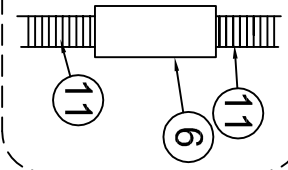
M-Series Overhead Cigarette Rack Suspended Ceiling Installation Diagram

THREE UNITS

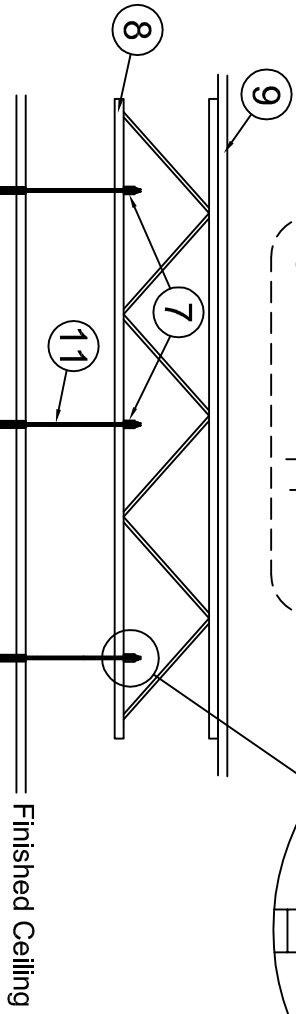
Questions?
Call 866-630-2100



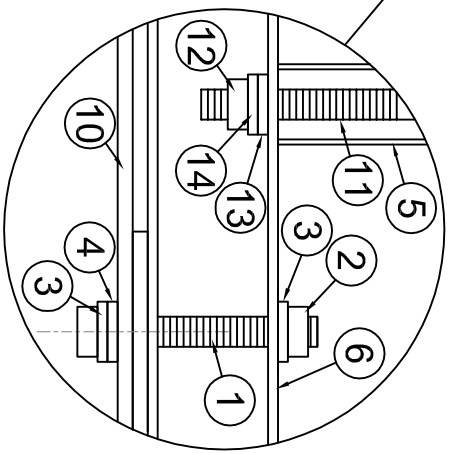
***NOTE:** If one length of threaded rod is not long enough to span the distance of Dimension "B" you must use two lengths of threaded rod and a threaded rod coupling to connect the two length of rod.



Side View



Front View



This installation diagram is for illustration purposes only. Actual installation applications may vary.